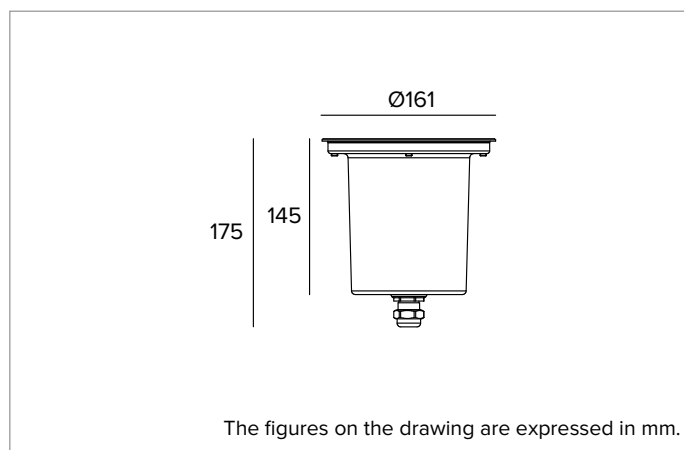


## E017MFL830ELCSS | KEPLERO 160 Stainless steel

### Compact fixed recessed projector equipped with LED sources



	3000K	H(m)	D(m)	Emax(lx)		
	Ra80		45°			
Fixture Power	7W	1	0.84	871		
Source Flux	859lm	2	1.67	218		
Fixture Flux	563lm	3	2.51	97		
Efficacy	77lm/W	4	3.35	54		
TS1941	I <sub>max</sub> =1014cd/klm	I <sub>max</sub>	871cd	5	4.19	35



#### SOURCE

Ra80 high efficiency High Power LED. 3500K colour temperature available on request.

**Energy efficiency class:** E

**Nominal power:** 6,4W

**Nominal flux:** 859lm

**Colour rendering index:** 80

**Rf:** 85

**Rg:** 93.8

**CCT nominal:** 3000K

**Lifetime (L80/B10):** >50000h tq +25°C

#### ILLUMINOTECHNICAL CHARACTERISTICS

Optical system composed of an optical grade PMMA lens and a holographic diffusing filter.

**Optic:** LENS

**Beam angles:** MWFL

**Optical efficiency:** 66%

**Fixture flux:** 563lm

**Luminous efficacy:** 76lm/W

**Photobiological safety:** Compliant with RG1 low risk group

#### MECHANICAL CHARACTERISTICS

Die-cast aluminium body with 3 layers of protection: anodised, cataphoresis and black paint. Brushed stainless steel (AISI 316) ultra flat decorative ring with bevelled edge (natural finish). Version with extra-clear protective glass. Anti theft stainless steel A4 Torx screws.

**Colour and finish:** Brushed stainless steel

**Weight:** 1.82Kg

**Version:** STANDARD

**Degree of protection:** IP66,IP67,IP68

**Mechanical Resistance:** IK10

#### ELECTRICAL CHARACTERISTICS

220-240Vac power supply with an ON-OFF integrated driver.

**Fixture Power:** 7W

**Power supply:** 220-240Vac 50/60Hz

**Insulation Class:** CLASS 2

**Type of driver / Control:** ON-OFF

**Driver included:** YES

**Class F:** YES

**SAFE FLICKER:** PstLM=<1 and SVM=<0.4 (IEC TR 61547-1 and IEC TR 63158), to ensure a more comfortable and safe light

**Ambient temperature:** -25°C / +35°C

#### INSTALLATION

Nylon installation sleeve to be ordered separately as an accessory. The sleeve is pre-set for both flush or straight edge installation. 20kN resistance to static load.

#### NOTES

All light fixtures must be completed with an installation sleeve. IP68: the projector is not suitable for permanent underwater installation but can withstand temporary accidental immersion to a depth of 2 metres (max.24h). All versions of the KEPLERO family meet all the requirements of EN 60598-2-13 standard regarding drive-over and walk-over performances. Low temperatures on the glass make them suitable even for installation in "special areas", such as spaces for children. Uses the "Waterblock Smart" technical solution that involves resin coating the connection cables, limiting the risk of humidity reaching the driver or the fixture. 110-277Vac version available on request.

#### WARNING

Luminaire designed for disposal/recycling at end-of-life. Replaceable (LED only) light source by a professional. Replaceable control gear by a professional.

Due to the technological evolution of the electronic components, the data provided may be updated, and as such, confirmation must be requested during the order process.

Luminous flux and power supply have +/-10% tolerances with respect to the indicated value. tq +25°C (CIE 121).

We reserve the right to make technical changes.

Targetti Sankey S.r.l.  
Via Pratese, 164  
50145 Firenze - Italy  
Tel: +39 055 37911  
targetti.com  
targetti@targetti.com

CCIAA Firenze  
Share Capital:  
€ 500.000,00  
VAT N. (IT):  
01537660480  
R.E.A: FI-275656

**TARGETTI**

## E017MFL830ELCSS | KEPLERO 160 Stainless steel Compact fixed recessed projector equipped with LED sources

### Related codes

#### Sleeve



Ø mm	H mm	Code
166	200	<b>1E2521</b>

Installation sleeve.  
Grey Nylon casing.  
For flush and semi-flush installation.

### Accessories

#### Tool



Code

**1E0388**

Sucker tool to raise the glass.

#### Connector



Code

**1E2769**

Linear connection box IP66/IP68.  
5 poles max. wire section 1.5mm<sup>2</sup>.  
Cable diameter range from 7 to 12mm.



Code

**1E2494**

Multiple connection box IP68.  
1 IN - 3 OUT 4 poles max. wire section 2.5mm<sup>2</sup>.  
Cable diameter range from 6 to 12mm.

#### Surge protector



Code

**A013B**

Surge protector compatible with CLASS II lighting fixtures and electronic drivers.  
Operating voltage 220-240Vac.  
SPD type 2+3.  
Max surge protection 10kV.  
CLASS II  
IP67

Due to the technological evolution of the electronic components, the data provided may be updated, and as such, confirmation must be requested during the order process.  
Luminous flux and power supply have +/-10% tolerances with respect to the indicated value. tq +25°C (CIE 121).

We reserve the right to make technical changes.

Targetti Sankey S.r.l.  
Via Pratese, 164  
50145 Firenze - Italy  
Tel: +39 055 37911  
targetti.com  
targetti@targetti.com

CCIAA Firenze  
Share Capital:  
€ 500.000,00  
VAT N. (IT):  
01537660480  
R.E.A: FI-275656

**TARGETTI**